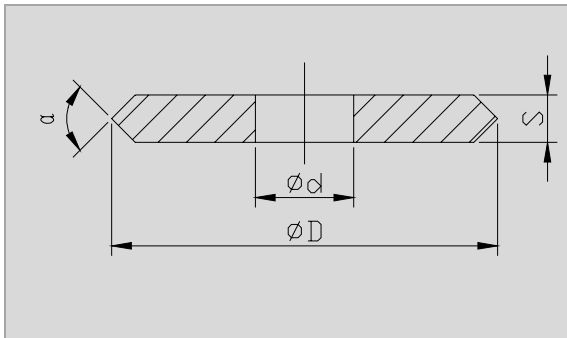


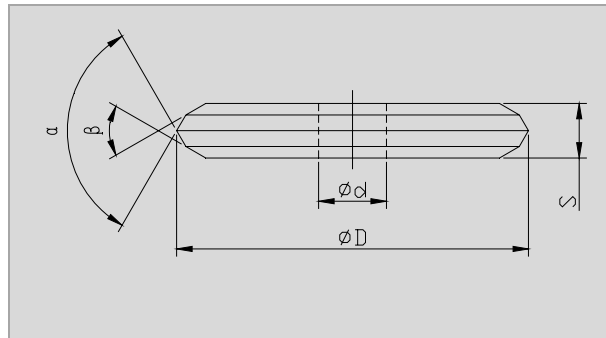
Carbide ceramic tile cutter



Grade	Cutting length (For common tile)	Density (g/cm ³)	Hardness (HRA)	T.R.S (MPa)
A01	500m	13.8-14.2	91.2	1700
A02	300m	11-11.3	91	1600
A03	100m	9-9.4	92	1200
A04	600m	14.6-15.1	91.5	1800



D (mm)	d (mm)	s (mm)	α
Φ22	Φ6	2	90°-120°
Φ22	Φ10.5	2	
Φ22	Φ15	2	
Φ20	Φ5	3	
Φ20	Φ14	5	
Φ18	Φ6	3	
Φ16	Φ6	4.9	
Φ16	Φ6	3	
Φ16	Φ6	2	
Φ16	Φ4	3	
Φ15	Φ6	2	
Φ15	Φ6	1.5	
Φ16	Φ6	1.5	
Φ14	Φ6	1.5	
Φ13.5	Φ6	1.5	
Φ13.5	Φ6	2	
Φ13.5	Φ6	1	
Φ12	Φ3	3	
Φ10	Φ4	3	
Φ8	Φ1.5	1	
Φ7	Φ1.9	1.2	
Φ6.4	Φ1.5	1.3	
Φ4.6	Φ1.3	1	
Φ3.5	Φ1	1	
Φ3.3	Φ1	1	



D (mm)	d (mm)	s (mm)	α, β
Φ22	Φ6	4.7	90°-120°
Φ18	Φ6	3.8	
Φ15	Φ6	2.9	

NOTE:

1. S, β , α are according to customer's requests.
2. The types in the above form are frequently-used.
3. We can produce the customized products whose types are not in the form according to our customers' requests.